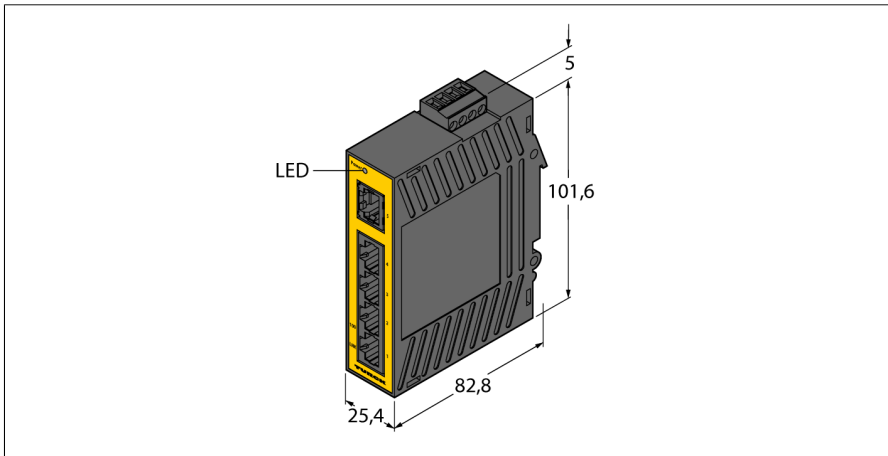


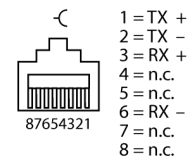
**Industrial Ethernet
Unmanaged Switch
SE20-84X-RJ522**



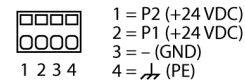
- 10/100 Mbps
- Auto-sensing, 10/100M, half/full duplex, auto-negotiating
- Auto cross-over, auto-polarity
- Automatic address learning, aging and migration
- Store and forward wire-speed switching
- IEEE 802.3, 802.3u, 802.3x
- 5 ports
- Ethernet connection: shielded RJ45 sockets
- Power supply: removable screw terminal
- Protection class: IP20

Type designation	SE20-84X-RJ522
Ident-No.	U3-10852
Ident-No (TUSA)	U3-10852
Remark to product	
Supply voltage	24 VDC
Admissible range	10...30 VDC
Voltage supply connection	pluggable screw terminal strip
Fieldbus transmission rate	10 Mbps/100 Mbps
Fieldbus connection technology	RJ45 port
Approvals and certificates	UL508/CSA C22.2/14; EN61010-1; UL1604/CSA C22.2/213 (Class I, Div. 2); EN60079-15 (Zone 2, Category 3); CE (ATEX)
Operating temperature	-40 to +60 °C
Storage temperature	-40 to +85 °C
Relative humidity	5 to 95% (non-condensing)
Protection class	IP20
Housing material	UL94V0 Lexan
Mounting	Din-rail or direct panel mounting

RJ45 Fieldbus



Power Supply



Functional principle

Ethernet switches can be used to simplify Ethernet networks and reduce traffic. They perform an important role in traffic management by forwarding messages only to the port that needs them.